

SERIES  
**TVMS2** 60Hz

VERTICAL MULTISTAGE  
IN-LINE PUMPS



# TVMS2 High Efficiency Vertical Multistage In-line Stainless Steel Centrifugal Pump

## 1.Applications

TVMS2 vertical multistage in-line stainless steel centrifugal pumps are designed in new generation, high efficiency and perfect performance. It referred to the European standard with new industrial design. It is energy saving, low noise, environment friendly, compact design, beautiful shape, light, easy for service, high reliability.

### a. Pumped liquids

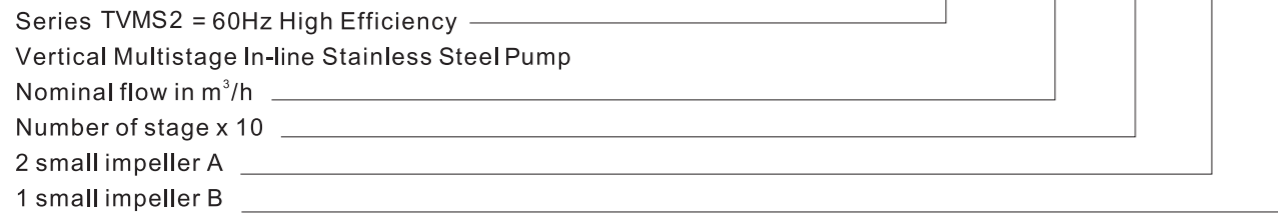
Thin, non-explosive liquids, not containing solid particles. The liquid must not attack the pump materials chemically. When pumping liquids with a density or viscosity higher than that of water, motor with correspondingly higher outputs must be used, if required.

### b. Application

- Municipal water supply and pressure boosting
- Domestic water supply
- Boiler feed and condensate systems
- Cooling water systems
- Irrigation and de-watering
- Fire fighting
- Washing plants

## 2.Model code

TVMS2 - 200 - 40 - 2A - B



## 3.Technical data

### a.Ambient Temperature

Maximum:+40°C

### b.Liquid Temperature

Standard design:-15°C to + 70°C ( Max )

For hot water design:-15°C to +120°C

### c.Min suction pressure

According to NPSH add 0.5m water head.

### d.Electric Motor standard be supplied as:

50Hz, single-phase 220V-240V or three-phase

380V-415V, aluminum casing, IP55, class F.

60Hz, single-phase 110V or three-phase 220V,

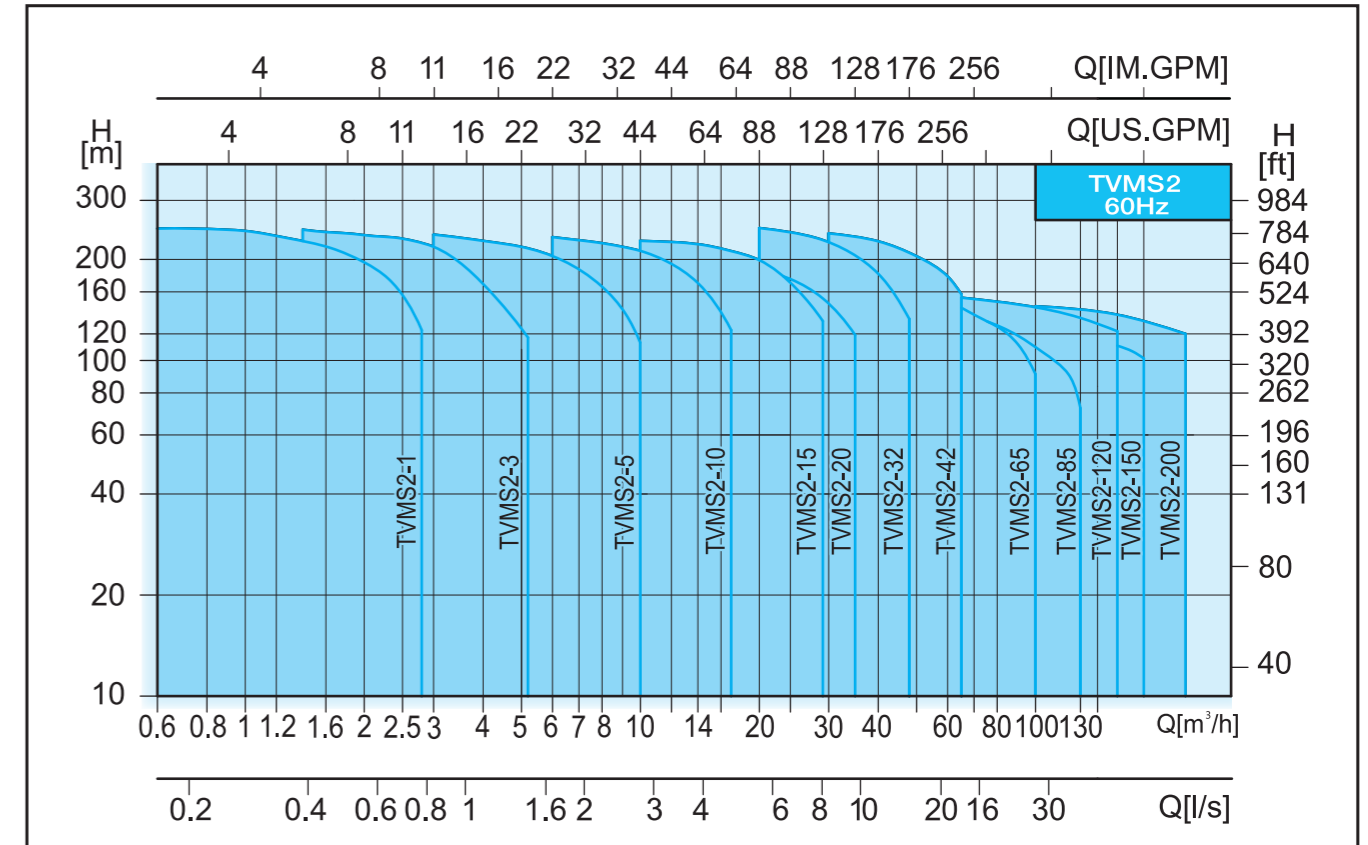
aluminum casing, IP55, class F.

TVMS2-1 series to TVMS2-20 series NEMA standard motor on request

### e.Pump's material can be supplied in 304, 316 or

316L stainless steel.

## Selection charts



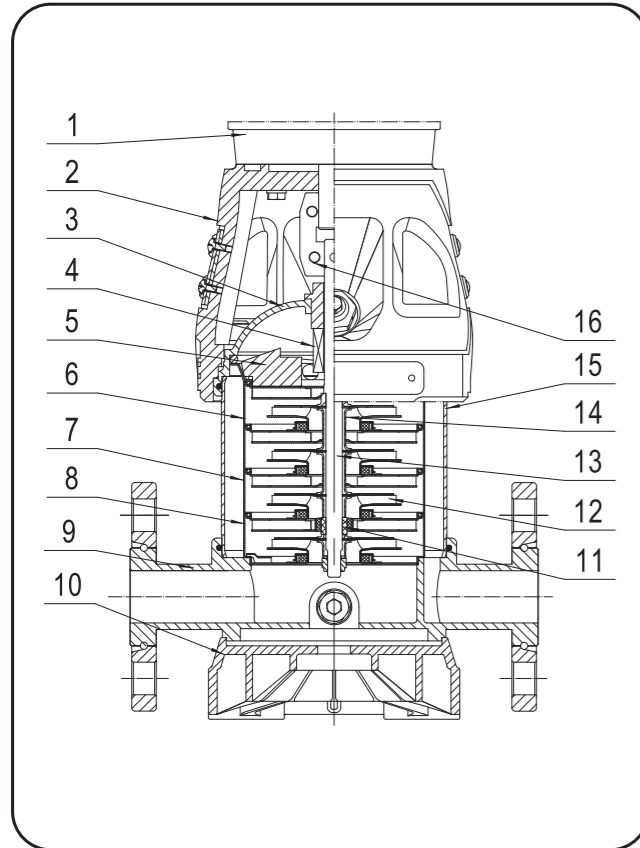
## Performance range

Description		TVMS2					
Rated flow[m <sup>3</sup> /h]		1	3	5	10	15	20
Rated flow [l/s]		0.28	0.83	1.39	2.78	4.17	5.56
Flow range[m <sup>3</sup> /h]		0.6~2.8	1.4~5.2	3~10	6~17	10~29	13~35
Flow range [l/s]		0.17~0.78	0.39~1.44	0.83~2.78	1.67~4.72	2.78~8.06	3.61~9.72
Max. pressure [bar]		25	25	24	24	23	20
Motor power [kW]		0.37~3	0.37~4	0.55~5.5	0.75~11	1.5~18.5	2.2~18.5
Temp [°C]		-15 ~ +120					
Max. efficiency [%]		49	59	70	72	73	73
S.S. Pipelines	DIN flange	DN25	DN25	DN32	DN40	DN50	DN50
	Cutting ferrule joint	DN32	DN32	DN32	DN50	DN50	DN50
	Pipe thread	R1½	R1½	R1½	R2	R2	R2
	Oval flange	G1	G1	G1½	G1½		

Description		TVMS2						
Rated flow[m <sup>3</sup> /h]		32	42	65	85	120	150	200
Rated flow [l/s]		8.89	11.67	18.06	23.61	33.33	41.67	55.56
Flow range[m <sup>3</sup> /h]		20~45	30~65	40~100	60~130	60~160	80~180	100~240
Flow range [l/s]		5.5~13.3	8.3~18	11.1~27.7	16.7~36.1	16.7~44.4	25~50	27.8~66.7
Max. pressure [bar]		25	26	18	15	15	14	15
Motor power [kW]		3~30	5.5~45	7.5~45	11~45	18.5~75	15~75	30~110
Temp [°C]		-15~+120						
Max. efficiency [%]		73	75	76	77	74	73	79
Pipelines	DIN flange	DN65	DN80	DN100	DN100	DN125	DN125	DN150

General arrangement drawing

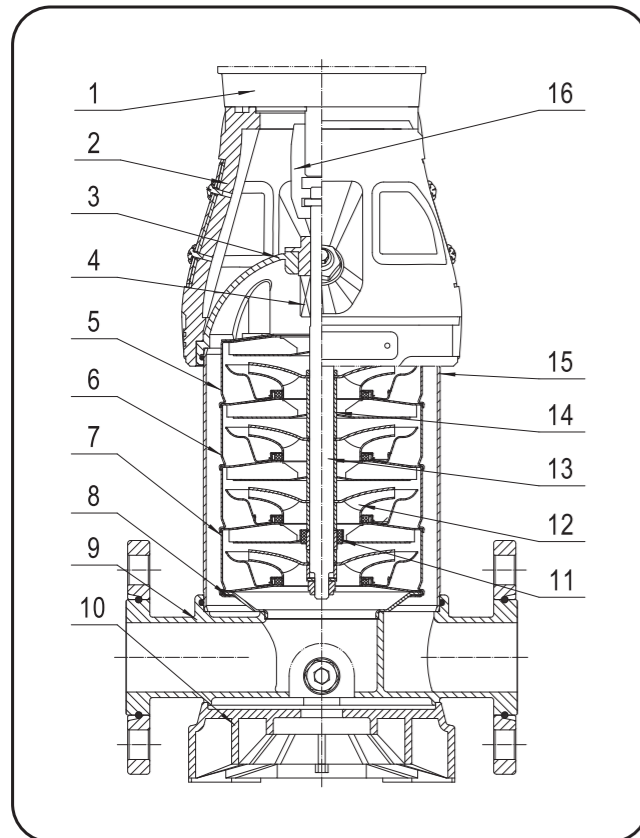
TVMS2-1, 3, 5



Pos.	Name	Material	AISI/ASTM
1	Motor		
2	Pump head	Cast iron	ASTM25B
3	Lining	Stainless steel	AISI304
4	Mechanical seal	Tungsten carbide / Carbon	
5	Top diffuser	Stainless steel	AISI304
6	Diffuser	Stainless steel	AISI304
7	Support diffuser	Stainless steel	AISI304
8	Inducer	Stainless steel	AISI304
9	Inlet & outlet chamber	Stainless steel	AISI304
10	Base plate	Cast aluminum	
11	Bearing	Tungsten carbide	
12	Impeller	Stainless steel	AISI304
13	Shaft	Stainless steel	AISI304
14	Impeller sleeve	Stainless steel	AISI304
15	Cylinder	Stainless steel	AISI304
16	Coupling	Carbon steel/ Powder metallurgy	

Please check with us for other materials.

TVMS2-10, 15, 20

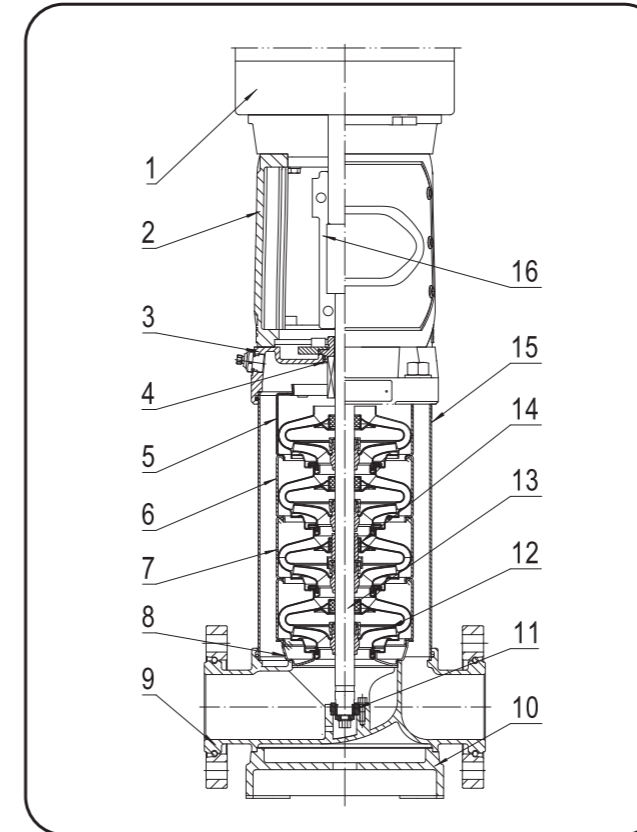


Pos.	Name	Material	AISI/ASTM
1	Motor		
2	Pump head	Cast iron	ASTM25B
3	Lining	Stainless steel	AISI304
4	Mechanical seal	Tungsten carbide/ Carbon	
5	Top diffuser	Stainless steel	AISI304
6	Diffuser	Stainless steel	AISI304
7	Support diffuser	Stainless steel	AISI304
8	Inducer	Stainless steel	AISI304
9	Inlet & outlet chamber	Stainless steel	AISI304
10	Base plate	Cast aluminum	
11	Bearing	Tungsten carbide	
12	Impeller	Stainless steel	AISI304
13	Shaft	Stainless steel	AISI304
14	Impeller sleeve	Stainless steel	AISI304
15	Cylinder	Stainless steel	AISI304
16	Coupling	Carbon steel/ Powder metallurgy	

Please check with us for other materials.

General arrangement drawing

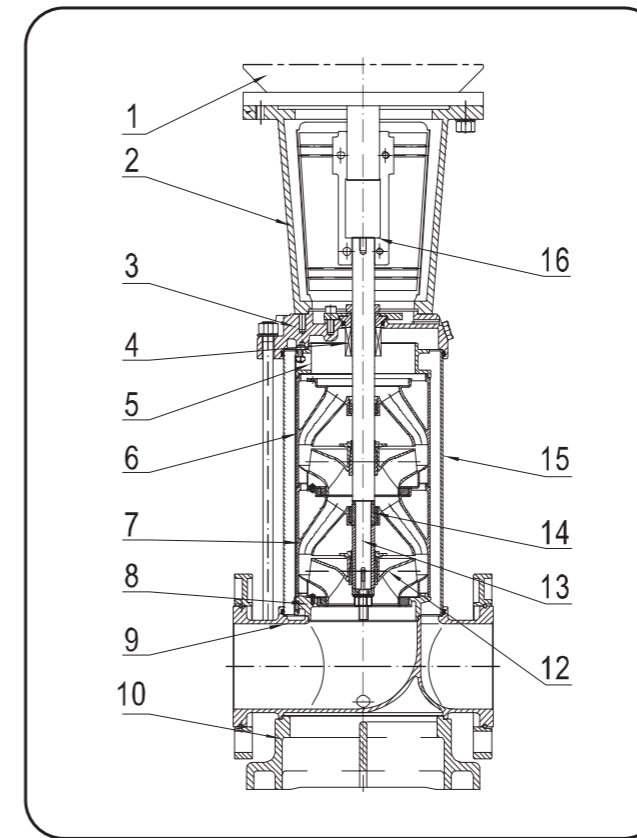
TVMS2-32, 42, 65, 85



Pos.	Name	Material	AISI/ASTM
1	Motor		
2	Bracket	Cast iron	ASTM25B
3	Pump head	Stainless steel	AISI304
4	Mechanical seal	Tungsten carbide/ Carbon	
5	Top diffuser	Stainless steel	AISI304
6	Diffuser	Stainless steel	AISI304
7	Support diffuser	Stainless steel	AISI304
8	Inducer	Stainless steel	AISI304
9	Inlet & outlet chamber	Stainless steel	AISI304
10	Base plate	Cast iron	ASTM25B
11	Bottom bearing	Tungsten carbide	
12	Impeller	Stainless steel	AISI304
13	Shaft	Stainless steel	AISI304
14	Intermediate bearing	Tungsten carbide	
15	Cylinder	Stainless steel	AISI304
16	Coupling	Carbon steel/ Powder metallurgy	

Please check with us for other materials.

TVMS2-120, 150, 200



Pos.	Name	Material	AISI/ASTM
1	Motor		
2	Bracket	Cast iron	ASTM25B
3	Pump head	Stainless steel	AISI304
4	Mechanical seal	Tungsten carbide/ Carbon	
5	Discharge	Stainless steel	AISI304
6	Diffuser	Stainless steel	AISI304
7	Support diffuser	Stainless steel	AISI304
8	Inducer	Stainless steel	AISI304
9	Inlet & outlet chamber	Stainless steel	AISI304
10	Base plate	Cast iron	ASTM25B
12	Impeller	Stainless steel	AISI304
13	Shaft	Stainless steel	AISI304
14	bearing	Tungsten carbide	
15	Cylinder	Stainless steel	AISI304
16	Coupling	Carbon steel/ Powder metallurgy	

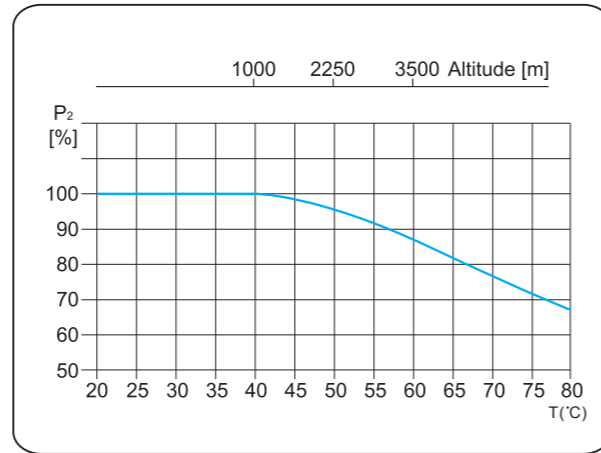
Please check with us for other materials.

Max. Working Pressure

Model	Max working(bar)
TVMS2- 1, 3, 5, 10, 15, 20 Flange, cutting ferrule, pipe thread	25
TVMS2- 1, 3, 5, 10 oval flange	16
TVMS2- 32 (S.S.)	30
TVMS2- 42 (S.S.)	
42-10-1~42-60	25(30)
42-70-2~42-70	30
TVMS2- 65, 85 (S.S.)	25
TVMS2- 120, 150, 200	20

Max. Ambient temperature

When the pump operates under ambient temperature higher than 40°C or under altitude higher than 1000m, because of low air density and poor cooling effects, the motor output power P2 will be decreased to certain extent. If the pump is operated under the above-said conditions, it should be equipped with motor of higher power.



Min. Inlet Pressure

In case that the pressure in pump is lower than the steam pressure used to convey liquid, the cavitations will occur. To avoid cavitations, a minimum pressure at the inlet side of the pump shall be guaranteed. The maximum suction stroke can be calculated with following formula:

$$H = P_b \times 10.2 - NPSH - H_f - H_v - H_s$$

$P_b$  = atmosphere pressure [ bar ]

(Barometric pressure can be set as 1 bar)

In a closed system,  $P_b$  means system pressure [ bar ]

NPSH = Net positive suction head [ m ]

(It can be read out from the point of possible max. flow rate shown on NPSH curve)

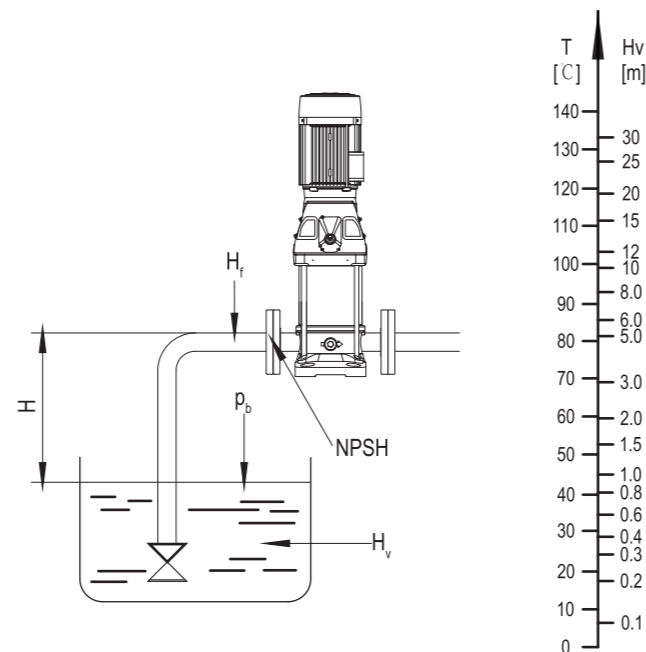
$H_f$  = Pipeline loss at the inler [ m ]

$H_v$  = Steam pressure [ m ]

$H_s$  = Safety margin = Minimum 0.5m delivery head

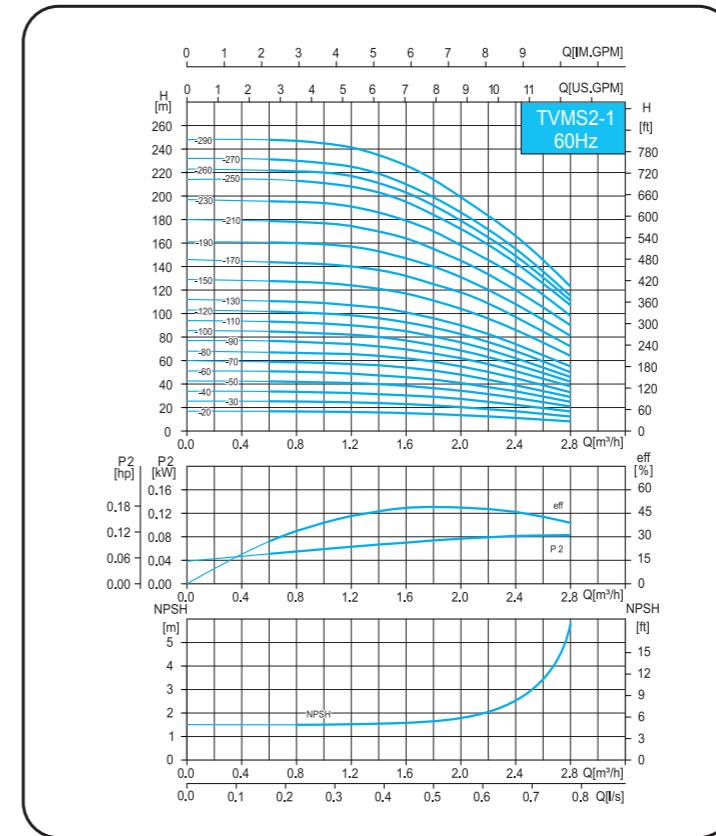
If the calculated result H is positive, the pump may run under the max. Suction stroke H.

In case the calculated result H is negative, a delivery head of min. Inlet pressure is necessary.



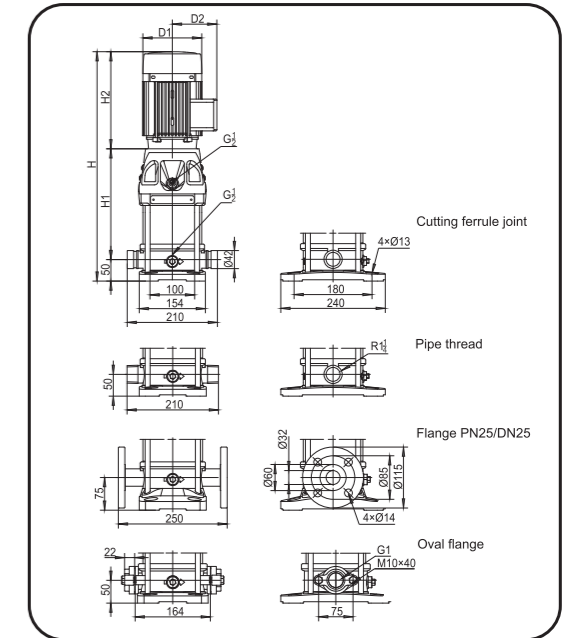
Technical Data

Performance curve ISO9906 3500rpm



TVMS2-1

Installation sketch



Performance table

Model	Motor		Q (m³/h)	H (m)															
	(kW)	(hp)		0	0.6	0.8	1	1.2	1.4	1.6	1.8	2	2.4	2.8					
TVMS2-1-20	0.37	0.5	17.5	17	16.8	16.6	16.4	16	15.4	14.6	13.7	11.3	8.4						
TVMS2-1-30	0.37	0.5	26	25.5	25.3	25	24.6	24	23	22	20.5	17	12.5						
TVMS2-1-40	0.37	0.5	34	33.8	33.5	33	32.5	31.5	30.5	29.3	27.5	22.5	16.8						
TVMS2-1-50	0.55	0.75	43	42.5	42	41.5	41	40	38.6	36.6	34.4	28.3	21						
TVMS2-1-60	0.55	0.75	51.5	51	50.6	50	49	47.5	46	44	41	34	25						
TVMS2-1-70	0.75	1	60	59	58.5	58	57	56	54	51.5	48	39	29						
TVMS2-1-80	0.75	1	68	67	66.5	66	65.5	64	62	59	55	45	33						
TVMS2-1-90	0.75	1	77	76.5	76	75	74	72	69.5	66	62	51	38						
TVMS2-1-100	1.1	1.5	85.5	84.5	84	83	82	80	77	73	68.5	56.5	42						
TVMS2-1-110	1.1	1.5	94	93	92.5	91.5	90	88	85	80.5	75.5	62	46						
TVMS2-1-120	1.1	1.5	103	102	101	100	98.5	96	92.5	88	82.5	68	50						
TVMS2-1-130	1.1	1.5	112	111	110	109	107	105	101	96	90	74	55						
TVMS2-1-150	1.5	2	129	128	127	126	124	121	117	111	104	86	64						
TVMS2-1-170	1.5	2	146	144	143	142	140	137	132	125	118	97	72						
TVMS2-1-190	2.2	3	162	161	160	159	157	153	147	140	131	108	81						
TVMS2-1-210	2.2	3	180	179	178	177	175	170	164	155	145	120	90						
TVMS2-1-230	2.2	3	197	196	195	194	191	186	179	170	158	132	98						
TVMS2-1-250	2.2	3	215	214	213	211	208	203	195	184	172	143	107						
TVMS2-1-260	2.2	3	223	222	221	220	217	211	203	192	179	149	111						
TVMS2-1-270	3	4	232	231	230	228	225	219	210	199	186	155	115						
TVMS2-1-290	3	4	249	248	247	245	242	235	226	214	199	166	123						

Size and weight

Model	Dimension (mm)				Weight (kg)
	H1	H2	H (Flange/Oth.)	D1 D2	
TVMS2-1-20	187	220	482/457	140 103	19
TVMS2-1-30	207	220	502/477	140 103	19
TVMS2-1-40	227	220	522/497	140 103	20
TVMS2-1-50	247	220	542/517	140 103	21
TVMS2-1-60	267	220	562/537	140 103	21
TVMS2-1-70	297	250	622/597	148 108	25
TVMS2-1-80	317	250	642/617	148 108	25
TVMS2-1-90	337	250	662/637	148 108	26
TVMS2-1-100	357	250	682/657	148 108	28
TVMS2-1-110	377	250	702/677	148 108	29
TVMS2-1-120	397	250	722/697	148 108	29
TVMS2-1-130	417	250	742/717	148 108	29
TVMS2-1-150	467	293	835/810	172 120	35
TVMS2-1-170	507	293	875/850	172 120	36
TVMS2-1-190	547	293	915/890	172 120	39
TVMS2-1-210	587	293	955/930	172 120	39
TVMS2-1-230	627	293	995/970	172 120	40
TVMS2-1-250	667	293	1035/1010	172 120	41
TVMS2-1-260	687	293	1055/1030	172 120	42
TVMS2-1-270	717	345	1137/1112	197 132	53
TVMS2-1-290	757	345	1177/1152	197 132	54

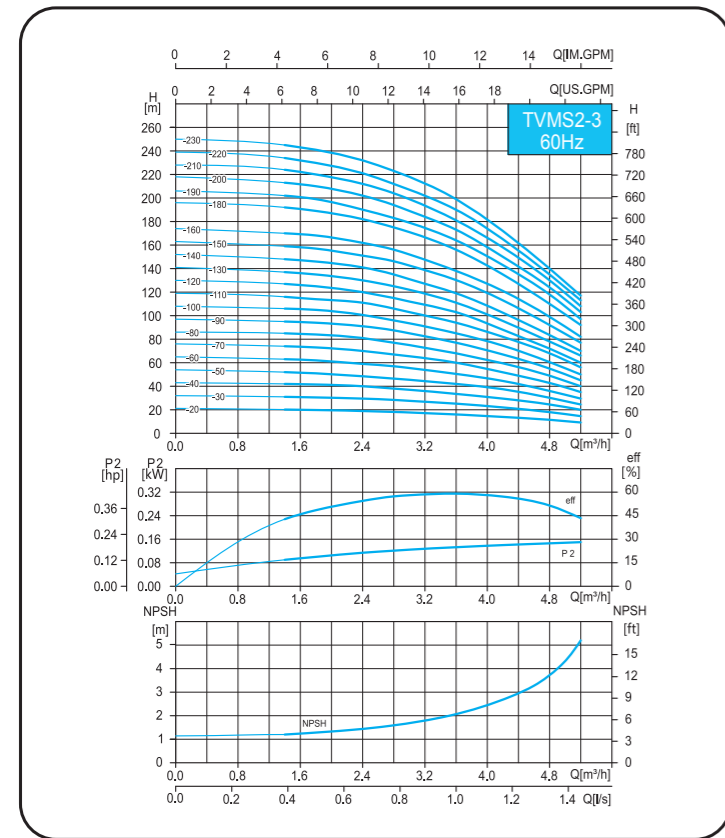
Note 1: TVMS2-1-190 to 1-290 have not oval flange pipeline connection.

Note 2: The overall dimensions of the single-phase motor and explosive-proof motor are a little different. Please contact us for details.



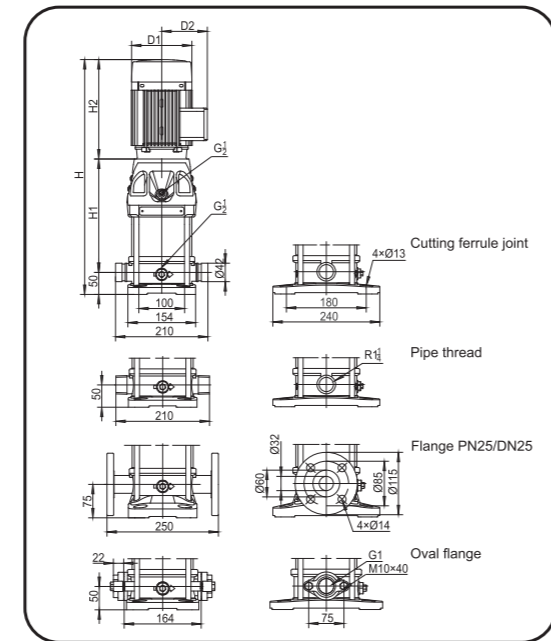
### Technical Data

Performance curve ISO9906 3500rpm



## TVMS2-3

Installation sketch



Performance table

Model	Motor		Q (m³/h)	H (m)										
	(kW)	(hp)		0	1.4	1.8	2.4	2.8	3	3.6	4.2	4.8	5.2	
TVMS2-3-20	0.37	0.5		21.2	20.2	19.8	19	18.2	17.7	16	14	11.5	9.2	
TVMS2-3-30	0.55	0.8		32	31	30.5	29.5	28.4	27.6	25.2	22	18	14.6	
TVMS2-3-40	0.75	1		43	42	41.5	40	38	37	33.5	29.5	24.5	20	
TVMS2-3-50	1.1	1.5		54	52	51	48.5	46.5	45.5	42	37.5	30.2	24.5	
TVMS2-3-60	1.1	1.5		65	63	62	59	57	55.5	50.5	44.5	36	29.5	
TVMS2-3-70	1.1	1.5		76	74	73	70	67	65.5	60	52	43.2	35	
TVMS2-3-80	1.5	2		86	85	84	81	77	75	68	59.5	49	40	
TVMS2-3-90	1.5	2		97	95	94	91	87.5	85	77	67	55	45	
TVMS2-3-100	2.2	3		108	106	105	101	96	93.5	85	74.5	60.5	50	
TVMS2-3-110	2.2	3		119	116	114	111	106	103	94	82	68	56	
TVMS2-3-120	2.2	3		130	127	125	120	115	112	103	88	72	60	
TVMS2-3-130	2.2	3		141	137	135	130	125	122	111	95.5	78	66	
TVMS2-3-140	2.2	3		152	148	146	141	135	131	119	102.5	83.5	70	
TVMS2-3-150	3	4		163	159	157	151	146	142	130	113	92	77	
TVMS2-3-160	3	4		174	170	168	161	156	152	138	121	99	82	
TVMS2-3-180	3	4		196	192	189	182	175	171	156	135	110	92	
TVMS2-3-190	3	4		206	202	199	190	183	179	164	143	118	97	
TVMS2-3-200	4	5.5		218	213	210	202	194	189	173	150	124	103	
TVMS2-3-210	4	5.5		228	224	220	212	204	199	181	158	130	108	
TVMS2-3-220	4	5.5		239	234	230	222	212	207	190	165	135	113	
TVMS2-3-230	4	5.5		250	245	241	232	223	218	199	172	140	117	

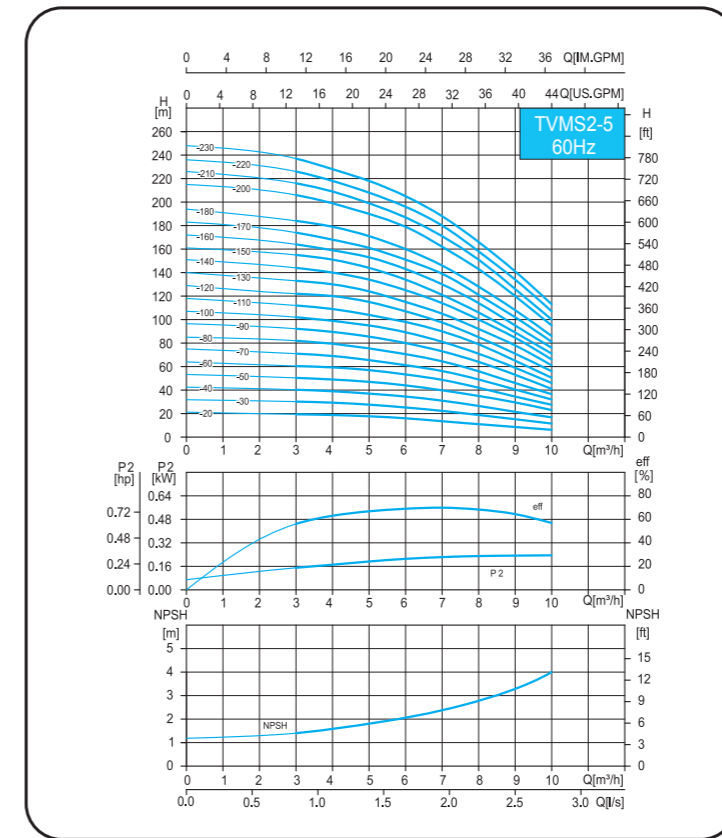
Note 1: TVMS2-3-150 to 3-230 have not oval flange pipeline connection.  
 Note 2: The overall dimensions of the single-phase motor and explosive-proof motor are a little different. Please contact us for details.

Size and weight

Model	Dimension (mm)				Weight (kg)
	H1	H2	H(Flange/Oth.)	D1 D2	
TVMS2-3-20	187	220	482/457	140 103	20
TVMS2-3-30	207	220	502/477	140 103	21
TVMS2-3-40	237	250	562/537	148 108	24
TVMS2-3-50	257	250	582/557	148 108	27
TVMS2-3-60	277	250	602/577	148 108	27
TVMS2-3-70	297	250	622/597	148 108	28
TVMS2-3-80	327	293	695/670	172 120	33
TVMS2-3-90	347	293	715/690	172 120	33
TVMS2-3-100	367	293	735/710	172 120	36
TVMS2-3-110	387	293	755/730	172 120	36
TVMS2-3-120	407	293	775/750	172 120	37
TVMS2-3-130	427	293	795/770	172 120	37
TVMS2-3-140	447	293	815/790	172 120	38
TVMS2-3-150	477	345	897/872	197 132	48
TVMS2-3-160	497	345	917/892	197 132	49
TVMS2-3-180	537	345	957/932	197 132	50
TVMS2-3-190	557	345	977/952	197 132	50
TVMS2-3-200	577	348	1000/975	215 151	57
TVMS2-3-210	597	348	1020/995	215 151	57
TVMS2-3-220	617	348	1040/1015	215 151	58
TVMS2-3-230	637	348	1060/1035	215 151	58

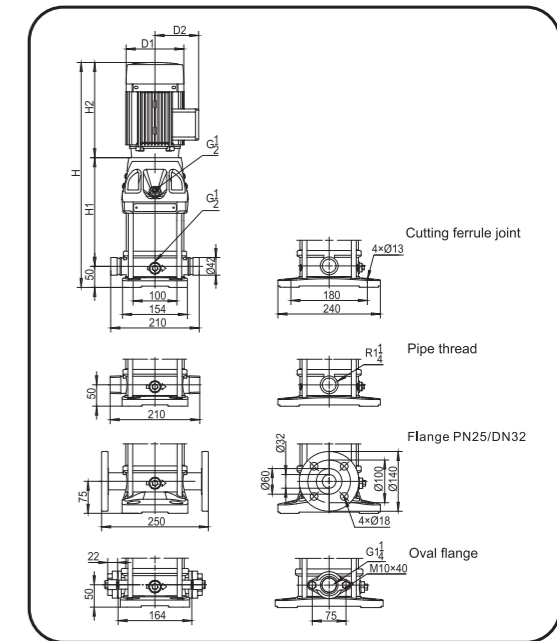
### Technical Data

Performance curve ISO9906 3500rpm



## TVMS2-5

Installation sketch



Performance table

Model	Motor		Q (m³/h)	H (m)									
	(kW)	(hp)		0	3	4	5	6	7	8	9	10	
TVMS2-5-20	0.55	0.75		21.2	19.4	18.8	17.7	16	13.5	11	8.6	6.2	
TVMS2-5-30	0.75	1		31.8	30.2	29.3	27.6	25.2	22.3	18.8	15.2	11.5	
TVMS2-5-40	1.1	1.5		42.5	40.3	39	37	34.5	31	26.5	21.5	16.8	
TVMS2-5-50	1.5	2		53.3	50.4	49	47	44	39.8	35	29.5	23	
TVMS2-5-60	1.5	2		64	60.5	59.3	57	53.3	48.7	42	34.5	27.5	
TVMS2-5-70	2.2	3		75	71	69	65.5	61.2	56.2	49	40.5	32	
TVMS2-5-80	2.2	3		85	82	79.5	75.5	70.6	64.5	56	46	36.5	
TVMS2-5-90	2.2	3		96.5	92.2	89.5	85.5	80	73	64	53	41	
TVMS2-5-100	3	4		107	102	99	95	89.3	81	71	59	46	
TVMS2-5-110	3	4		118	112	109	104	98	90	79	65	50.5	
TVMS2-5-120	3	4		129	122	120	115	107	97.5	85	71	56	
TVMS2-5-130	4	5.5		140	133	130	124	115	105	92	78	61	
TVMS2-5-140	4	5.5		151	144	140	134	125	114	100	84.5	66	
TVMS2-5-150	4	5.5		161	155	151	144	134	121	106	89	71	
TVMS2-5-160	4	5.5		172	164	159	153	143	130	114	95	76	
TVMS2-5-170	5.5	7.5		183	174	168	161	151	139	121	102	81	
TVMS2-5-180	5.5	7.5		194	184	179	171	160	146	128	108	86	
TVMS2-5-200	5.5	7.5		215	206	199	190	179	162	143	120	95	
TVMS2-5-210	5.5	7.5		226	216	209	199	187	171	151	126	100	
TVMS2-5-220	5.5	7.5		236	226	218	208	196	180	158	134	107	
TVMS2-5-230	5.5	7.5		248	237	228	218	205	188	166	141	113	

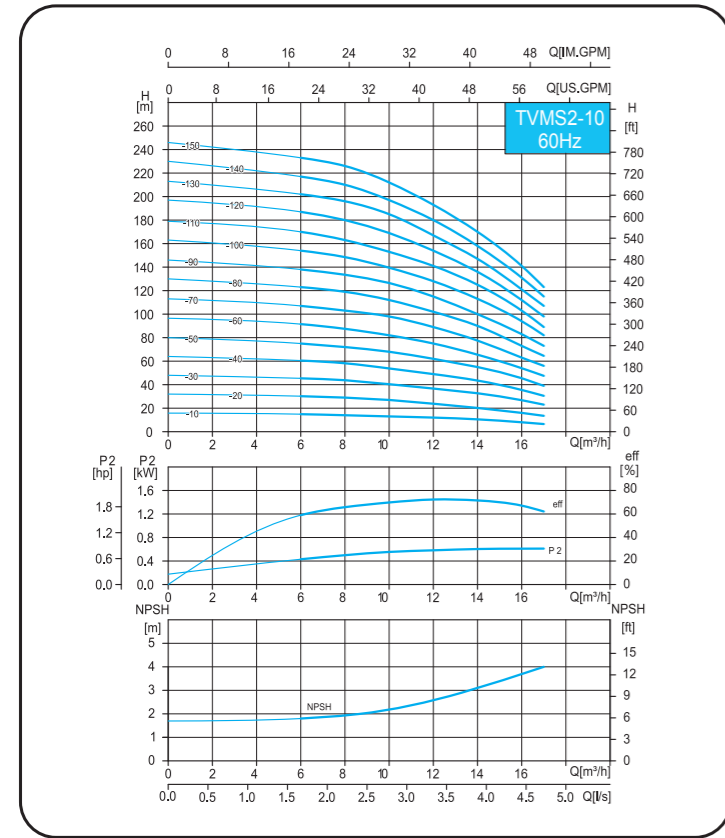
Note 1: TVMS2-5-150 to 5-230 have not oval flange pipeline connection.  
 Note 2: The overall dimensions of the single-phase motor and explosive-proof motor are a little different. Please contact us for details.

Size and weight

Model	Dimension (mm)				Weight (kg)
	H1	H2	H(Flange/Oth.)	D1 D2	
TVMS2-5-20	201	220	496/471	140 103	20
TVMS2-5-30	238	250	563/538	148 108	23
TVMS2-5-40	265	250	590/565	148 108	26
TVMS2-5-50	302	293	670/645	172 120	32
TVMS2-5-60	329	293	697/672	172 120	32
TVMS2-5-70	356	293	724/699	172 120	35
TVMS2-5-80	383	293	751/726	172 120	35
TVMS2-5-90	410	293	778/753	172 120	36
TVMS2-5-100	447	345	867/842	197 132	46
TVMS2-5-110	474	345	894/869	197 132	47
TVMS2-5-120	501	345	921/896	197 132	47
TVMS2-5-130	528	348	951/926	215 151	54
TVMS2-5-140	555	348	978/953	215 151	55
TVMS2-5-150	582	348	1005/980	215 151	55
TVMS2-5-160	609	348	1032/1007	215 151	56
TVMS2-5-170	711	390	1176/1151	260 168	76
TVMS2-5-180	738	390	1203/1178	260 168	76
TVMS2-5-200	792	390	1257/1232	260 168	77
TVMS2-5-210	819	390	1284/1259	260 168	78
TVMS2-5-220	846	390	1311/1286	260 168	78
TVMS2-5-230	873	390	1338/1313	260 168	79

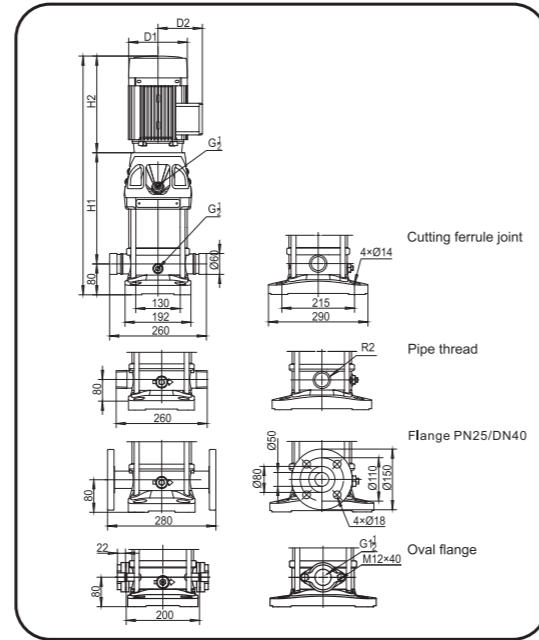
Technical Data

Performance curve ISO9906 3500rpm



TVMS2-10

Installation sketch



Performance table

Model	Motor		Q (m³/h)	H (m)							
	(kW)	(hp)		0	6	8	10	12	14	16	17
TVMS2-10-10	0.75	1		15.8	14.9	14	13	12	10.5	8	6.5
TVMS2-10-20	1.5	2		32	30.2	29	27	23.8	20.2	16	13.5
TVMS2-10-30	2.2	3		48	45.5	44	40.5	36.5	32.5	27	23
TVMS2-10-40	3	4		64	60.5	58	54	49	43.5	35.5	30.5
TVMS2-10-50	4	5.5		80	75	72	68	62	55	45.5	39
TVMS2-10-60	4	5.5		96.5	91.5	87.5	82	75	65.5	54	47.5
TVMS2-10-70	5.5	7.5		113	107	103	98	89	77.5	63	56
TVMS2-10-80	5.5	7.5		130	123	119	112	102	90	73	64.5
TVMS2-10-90	7.5	10		146	138	133.5	126.5	115	100	83	73
TVMS2-10-100	7.5	10		163	154	148.5	139.5	128	113	94	82
TVMS2-10-110	7.5	10		179	170	163	153	141	125	103	89
TVMS2-10-120	7.5	10		197	187	180	169	154	136	112	98
TVMS2-10-130	11	15		213	202	196	185	167	147	121	107
TVMS2-10-140	11	15		230	217	210	197	180	158	131	115
TVMS2-10-150	11	15		246	233	226	212	193	170	141	123

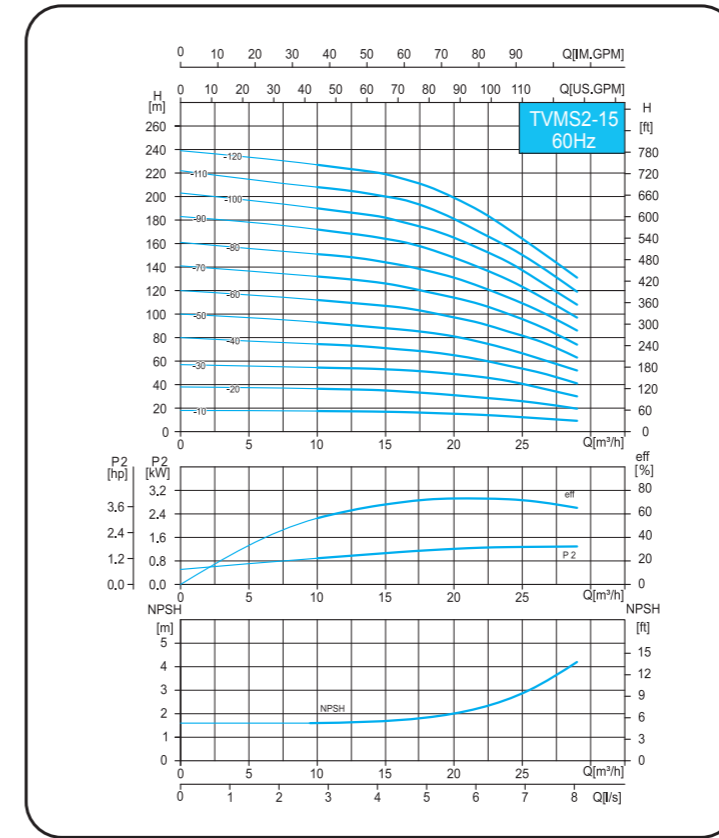
Note 1: TVMS2-10-100 to 10-150 have not oval flange pipeline connection.  
 Note 2: The overall dimensions of the single-phase motor and explosive-proof motor are a little different. Please contact us for details.

Size and weight

Model	Dimension (mm)					Weight (kg)
	H1	H2	H	D1	D2	
TVMS2-10-10	267	250	597	148	108	29
TVMS2-10-20	277	293	650	172	120	37
TVMS2-10-30	307	293	680	172	120	40
TVMS2-10-40	347	345	772	197	132	51
TVMS2-10-50	377	348	805	215	151	60
TVMS2-10-60	407	348	835	215	151	61
TVMS2-10-70	515	390	985	260	168	82
TVMS2-10-80	545	390	1015	260	168	83
TVMS2-10-90	575	390	1045	260	168	87
TVMS2-10-100	605	390	1075	260	168	88
TVMS2-10-110	635	390	1105	260	168	89
TVMS2-10-120	665	390	1135	260	168	90
TVMS2-10-130	725	500	1305	330	205	160
TVMS2-10-140	755	500	1335	330	205	161
TVMS2-10-150	785	500	1365	330	205	162

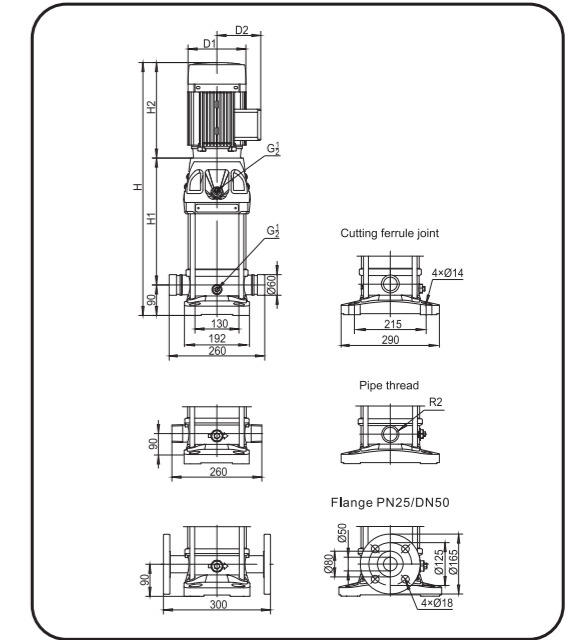
Technical Data

Performance curve ISO9906 3500rpm



TVMS2-15

Installation sketch



Performance table

Model	Motor		Q (m³/h)	H (m)														
	(kW)	(hp)		0	10	12	14	15	16	18	20	22	24	26	28	29		
TVMS2-15-10	1.5	2		18	17.5	17.3	17.1	16.9	16.7	16	15.2	14.3	13	11.5	10	9.2		
TVMS2-15-20	3	4		38	36.5	36	35.5	35	34.3	32.8	31	29	27	24.5	21.5	19.5		
TVMS2-15-30	4	5.5		57	54.5	54	53.5	53	52.5	51	49	46.5	43	38	33	30		
TVMS2-15-40	5.5	7.5		80	74.5	73.5	72	71	70	68	65	61	56	51	45	41		
TVMS2-15-50	7.5	10		100	93	91	89	88	87	84.5	81	76	70	63	56	52		
TVMS2-15-60	11	15		120	112	110	108	107	106	102	97	92	85	78	68	63		
TVMS2-15-70	11	15		141	132	130	128	126	124	119	114	108	100	91	80	74		
TVMS2-15-80	11	15		161	151	149	146	144	142	137	131	123	114	104	92	86		
TVMS2-15-90	15	20		183	172	169	166	164	162	156	148	139	129	117	104	97		
TVMS2-15-100	15	20		203	190	187	184	182	179	173	165	155	144	130	116	108		
TVMS2-15-110	15	20		222	208	205	202	200	198	191	181	169	157	143	127	119		
TVMS2-15-120	18.5	25		239	227	224	221	219	216	209	199	187	172	156	139	131		

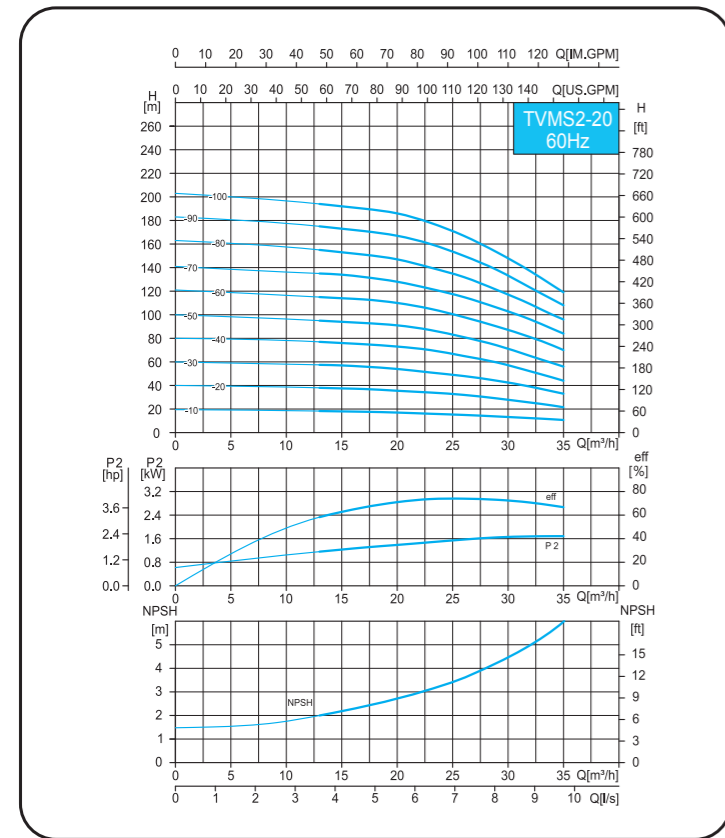
The overall dimensions of the single-phase motor and explosive-proof motor are a little different. Please contact us for details.

Size and weight

Model	Dimension (mm)					Weight (kg)
	H1	H2	H	D1	D2	
TVMS2-15-10	307	293	690	172	120	40
TVMS2-15-20	317	345	752	197	132	53
TVMS2-15-30	362	348	800	215	151	61
TVMS2-15-40	485	390	965	260	168	83
TVMS2-15-50	530	390	1010	260	168	87
TVMS2-15-60	605	500	1195	330	205	168
TVMS2-15-70	650	500	1240	330	205	170
TVMS2-15-80	695	500	1285	330	205	171
TVMS2-15-90	740	500	1330	330	205	173
TVMS2-15-100	785	500	1375	330	205	174
TVMS2-15-110	830	500	1420	330	205	175
TVMS2-15-120	875	545	1510	330	205	185

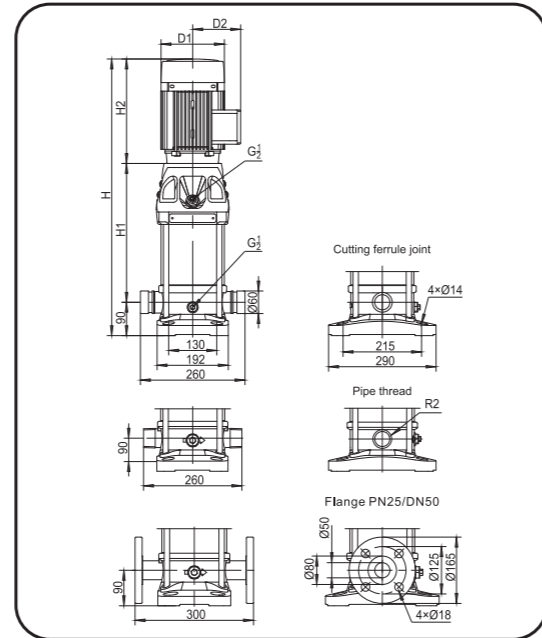
### Technical Data

Performance curve ISO9906 3500rpm



## TVMS2-20

Installation sketch



Performance table

Model	Motor		Q (m³/h)	H (m)											
	(kW)	(hp)		0	13	15	17	20	23	26	29	32	34	35	
TVMS2-20-10	2.2	3		19.5	18.3	18	17.7	17	16	15	13.7	12.3	11.3	10.7	
TVMS2-20-20	4	5.5		40	38	37.5	37	35.5	34	32	29	25.5	23	21.5	
TVMS2-20-30	5.5	7.5		60	57.5	57	56	54	51	48	44	39	35	33	
TVMS2-20-40	7.5	10		80	77	76	75	73	70	65	59.5	52	47	44	
TVMS2-20-50	11	15		100	95	94	93	91	87	81	74	65	59	56	
TVMS2-20-60	11	15		121	115	114	113	110	105	98	90	81	74	70	
TVMS2-20-70	15	20		141	135	134	132	128	122	115	106	96	88	84	
TVMS2-20-80	15	20		163	155	153	151	147	140	132	121	109	100	96	
TVMS2-20-90	18.5	25		183	175	173	171	167	160	150	138	123	113	108	
TVMS2-20-100	18.5	25		203	194	192	190	186	178	167	153	137	125	119	

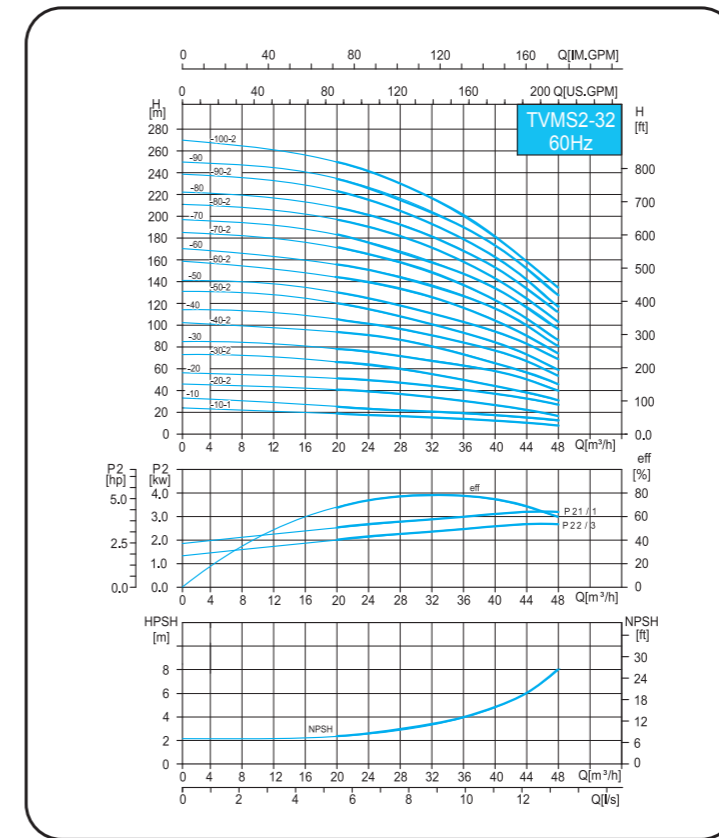
Size and weight

Model	Dimension (mm)					Weight (kg)
	H1	H2	H	D1	D2	
TVMS2-20-10	307	293	690	172	120	40
TVMS2-20-20	317	348	755	215	151	58
TVMS2-20-30	440	390	920	260	168	80
TVMS2-20-40	485	390	965	260	168	84
TVMS2-20-50	560	500	1150	330	205	151
TVMS2-20-60	605	500	1195	330	205	153
TVMS2-20-70	650	500	1240	330	205	169
TVMS2-20-80	695	500	1285	330	205	170
TVMS2-20-90	740	545	1375	330	205	180
TVMS2-20-100	785	545	1420	330	205	181

The overall dimensions of the single-phase motor and explosive-proof motor are a little different. Please contact us for details.

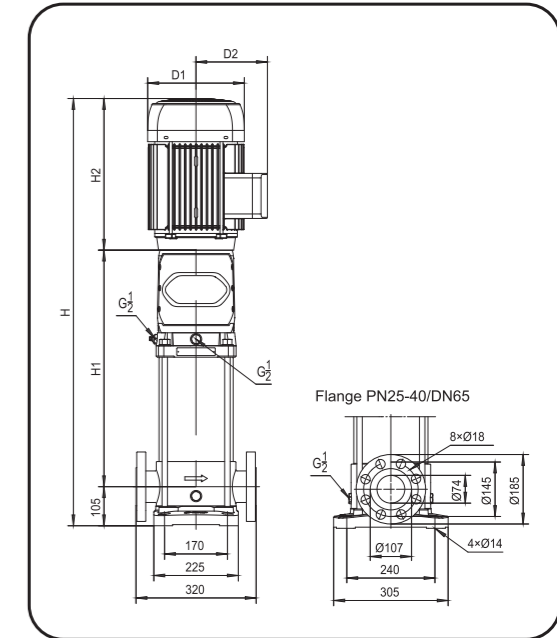
### Technical Data

Performance curve ISO9906 3500rpm



## TVMS2-32

Installation sketch



Performance table

Model	Motor		Q (m³/h)	H (m)											
	(kW)	(hp)		0	20	24	28	32	36	40	44	48			
TVMS2-32-10-1	3	4		24	20	19	18	17	15	13	10	7			
TVMS2-32-10	4	5.5		33	26	25	24	23	21	19	17	14			
TVMS2-32-20-2	5.5	7.5		46	41	40	38	35	31	27	22	17			
TVMS2-32-20	7.5	10		56	52	50	48	45	41	37	33	27			
TVMS2-32-30-2	7.5	10		73	67	64	61	57	52	46	39	31			
TVMS2-32-30	11	15		85	78	75	71	67	62	56	50	40			
TVMS2-32-40-2	11	15		102	94	91	87	81	73	65	56	45			
TVMS2-32-40	15	20		114	104	101	96	91	83	75	66	55			
TVMS2-32-50-2	15	20		131	119	115	109	102	94	84	73	59			
TVMS2-32-50	18.5	25		141	130	125	119	112	104	94	83	69			
TVMS2-32-60-2	18.5	25		159	145	140	134	126	116	104	90	74			
TVMS2-32-60	18.5	25		170	155	150	144	136	126	114	100	81			
TVMS2-32-70-2	22	30		185	172	166	158	149	137	123	106	86			
TVMS2-32-70	22	30		197	182	176	168	159	148	133	118	97			
TVMS2-32-80-2	22	30		211	196	190	182	172	159	143	124	102			
TVMS2-32-80	30	40		222	208	201	192	181	167	152	132	111			
TVMS2-32-90-2	30	40		238	223	216	206	194	179	162	142	117			
TVMS2-32-90	30	40		250	234	226	216	204	189	172	152	127			
TVMS2-32-100-2	30	40		270	248	241	231	217	201	181	159	133			

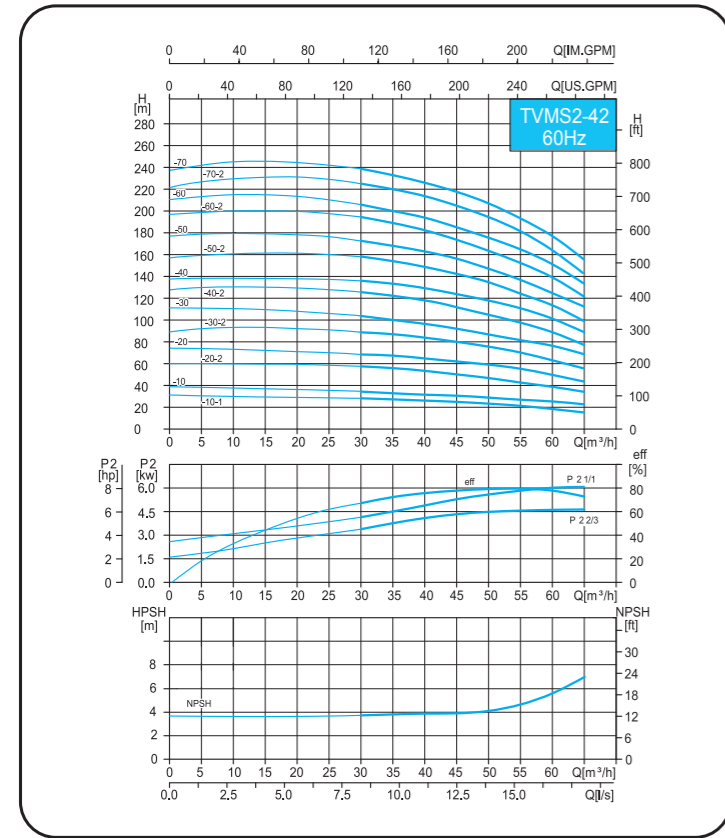
Size and weight

Model	Dimension (mm)					Weight (kg)
	H1	H2	H	D1	D2	
TVMS2-32-10-1	329	345	779	197	132	66
TVMS2-32-10	329	348	782	215	151	72
TVMS2-32-20-2	490	390	985	260	168	95
TVMS2-32-20	490	390	985	260	168	103
TVMS2-32-30-2	560	390	1055	260	168	106
TVMS2-32-30	590	500	1195	330	205	174
TVMS2-32-40-2	660	500	1265	330	205	177
TVMS2-32-40	660	500	1265	330	205	192
TVMS2-32-50-2	730	500	1335	330	205	194
TVMS2-32-50	730	545	1380	330	205	202
TVMS2-32-60-2	800	545	1450	330	205	205
TVMS2-32-60	800	545	1450	330	205	205
TVMS2-32-70-2	870	576	1551	375	230	261
TVMS2-32-70	870	576	1551	375	230	261
TVMS2-32-80-2	940	576	1621	375	230	264
TVMS2-32-80	940	650	1695	418	256	325
TVMS2-32-90-2	1010	650	1765	418	256	328
TVMS2-32-90	1010	650	1765	418	256	328
TVMS2-32-100-2	1080	650	1835	418	256	331



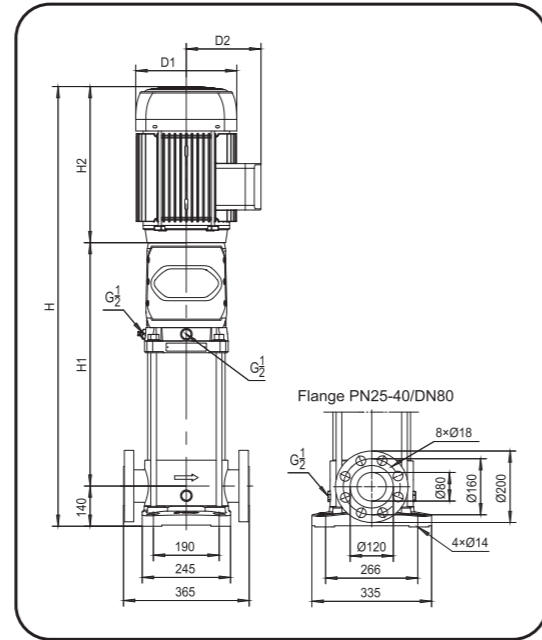
Technical Data

Performance curve ISO9906 3500rpm



TVMS2-42

Installation sketch



Performance table

Model	Motor		Q (m³/h)	H (m)											
	(kW)	(hp)		0	30	35	40	42	45	50	55	60	65		
TVMS2-42-10-1	5.5	7.5		31	29	28	27	26	25	23	21	19	16		
TVMS2-42-10	7.5	10		39	34	33	32	31.5	30	29	27	25	22		
TVMS2-42-20-2	11	15		60	57	55	53	52	49	46	43	38	33		
TVMS2-42-20	15	20		74	69	67	65	63	61	59	55	50	44		
TVMS2-42-30-2	18.5	25		89	90	88	85	83	80	75	72	63	55		
TVMS2-42-30	18.5	25		111	102	100	97	95	92	88	82	76	68		
TVMS2-42-40-2	22	30		128	125	121	118	115	112	105	98	89	78		
TVMS2-42-40	30	40		138	136	133	129	126	123	117	112	102	89		
TVMS2-42-50-2	30	40		157	159	154	149	146	142	134	121	115	99		
TVMS2-42-50	30	40		177	171	166	161	158	154	145	138	126	112		
TVMS2-42-60-2	37	50		197	194	188	182	178	173	163	155	139	122		
TVMS2-42-60	37	50		210	205	200	193	190	186	176	166	152	134		
TVMS2-42-70-2	45	60		221	227	220	213	210	205	193	182	165	144		
TVMS2-42-70	45	60		237	239	232	226	221	216	204	194	178	157		

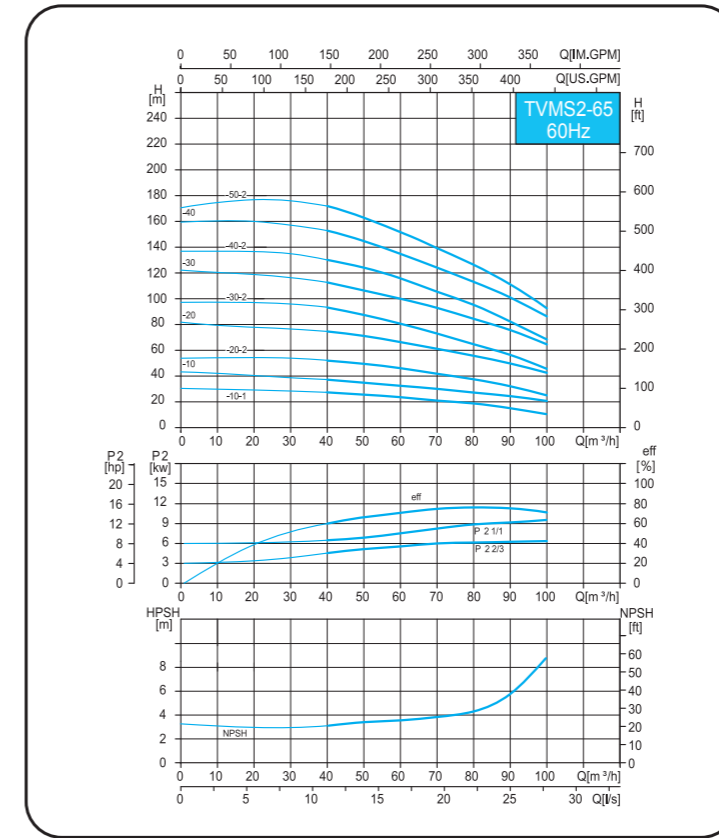
Size and weight

Model	Dimension (mm)					Weight (kg)
	H1	H2	H	D1	D2	
TVMS2-42-10-1	441	390	971	260	168	99
TVMS2-42-10	441	390	971	260	168	108
TVMS2-42-20-2	553	500	1193	330	205	179
TVMS2-42-20	553	500	1193	330	205	194
TVMS2-42-30-2	633	545	1318	330	205	205
TVMS2-42-30	633	545	1318	330	205	205
TVMS2-42-40-2	713	576	1429	375	230	262
TVMS2-42-40	713	650	1503	418	256	323
TVMS2-42-50-2	793	650	1583	418	256	326
TVMS2-42-50	793	650	1583	418	256	326
TVMS2-42-60-2	873	650	1663	418	256	350
TVMS2-42-60	873	650	1663	418	256	350
TVMS2-42-70-2	953	700	1793	465	280	453
TVMS2-42-70	953	700	1793	465	280	453

The overall dimensions of the single-phase motor and explosive-proof motor are a little different. Please contact us for details.

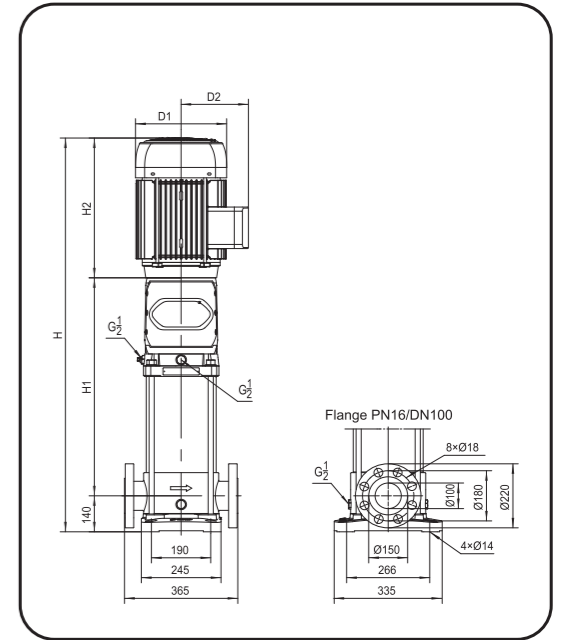
Technical Data

Performance curve ISO9906 3500rpm



TVMS2-65

Installation sketch



Performance table

Model	Motor		Q (m³/h)	H (m)									
	(kW)	(hp)		0	40	50	60	65	70	80	90	100	
TVMS2-65-10-1	7.5	10		30	26	25	23	22	21	18	14	10	
TVMS2-65-10	11	15		43	37	35	33	32	31	28	24	21	
TVMS2-65-20-2	15	20		54	53	50	47	44	42	37	31	23	
TVMS2-65-20	22	30		82	74	72	67	64	62	57	51	52	
TVMS2-65-30-2	22	30		97	93	88	80	76	72	65	56	45	
TVMS2-65-30	30	40		122	112	108	100	96	93	86	77	65	
TVMS2-65-40-2	37	50		137	130	124	115	110	103	94	83	66	
TVMS2-65-40	45	60		159	152	144	135	130	123	114	102	86	
TVMS2-65-50-2	45	60		171	172	162	151	144	137	126	112	91	

Size and weight

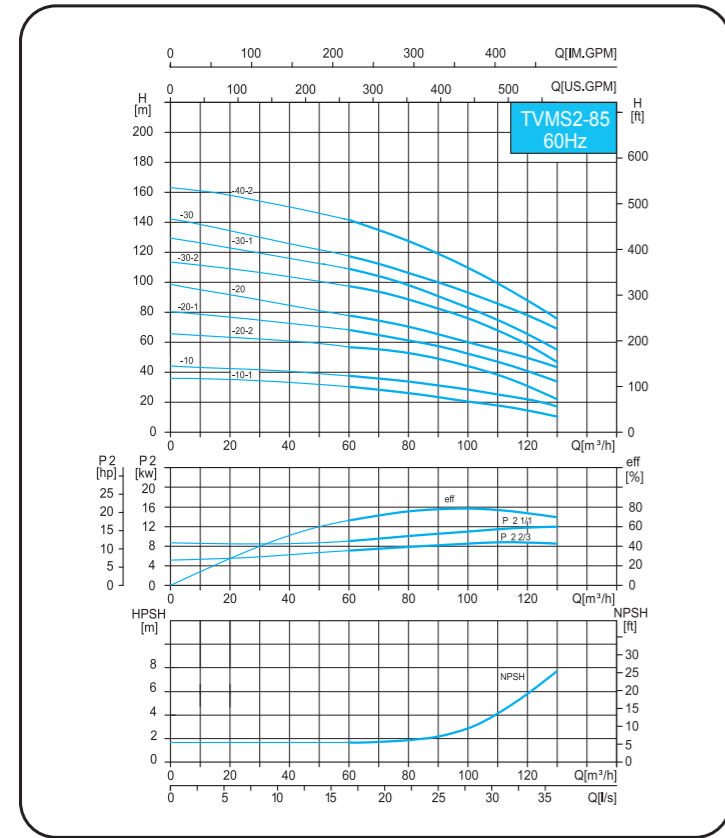
Model	Dimension (mm)					Weight (kg)
	H1	H2	H	D1	D2	
TVMS2-65-10-1	441	390	971	260	168	98
TVMS2-65-10	476	500	1116	330	205	166
TVMS2-65-20-2	559	500	1199	330	205	185
TVMS2-65-20	559	576	1275	375	230	246
TVMS2-65-30-2	641	576	1357	375	230	249
TVMS2-65-30	641	650	1431	418	256	310
TVMS2-65-40-2	724	650	1514	418	256	334
TVMS2-65-40	724	700	1564	465	280	434
TVMS2-65-50-2	806	700	1646	465	280	438

The overall dimensions of the single-phase motor and explosive-proof motor are a little different. Please contact us for details. For TVMS2-65 series, PN25-40/DN100 standard flange is also available if required.



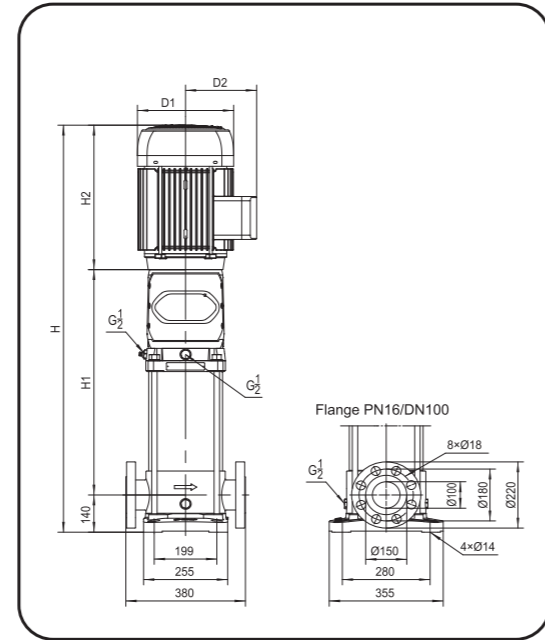
Technical Data

Performance curve ISO9906 3500rpm



TVMS2-85

Installation sketch



Performance table

Model	Motor		Q (m³/h)	H (m)									
	(kW)	(hp)		0	60	70	80	85	90	100	110	120	130
TVMS2-85-10-1	11	15	H(m)	36	31	27	25	24	23	21	18	14	9
TVMS2-85-10	15	20		44	36	35	33	31	30	29	26	23	18
TVMS2-85-20-2	18.5	25		66	59	57	54	51	48	44	39	32	22
TVMS2-85-20-1	22	30		80	67	65	62	59	57	51	47	41	33
TVMS2-85-20	30	40		99	76	73	69	66	64	60	56	52	44
TVMS2-85-30-2	37	50		114	98	94	88	85	82	75	69	59	46
TVMS2-85-30-1	37	50		129	108	104	98	94	90	83	78	69	56
TVMS2-85-30	45	60		142	116	111	105	102	97	93	88	79	69
TVMS2-85-40-2	45	60		163	141	135	128	124	118	109	102	89	72

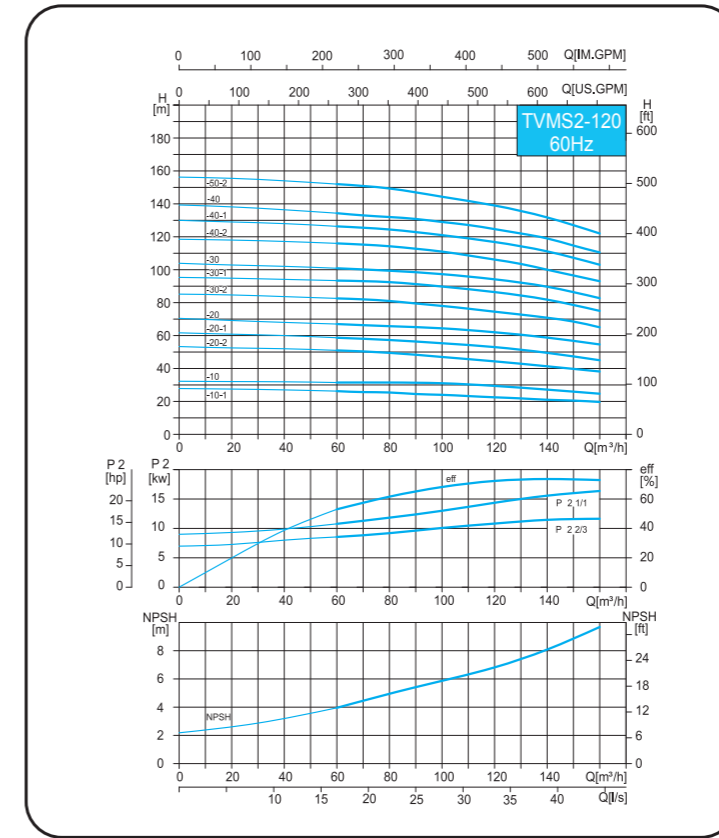
Size and weight

Model	Dimension (mm)					Weight (kg)
	H1	H2	H	D1	D2	
TVMS2-85-10-1	376	500	1016	330	205	177
TVMS2-85-10	376	500	1016	330	205	192
TVMS2-85-20-2	578	545	1263	330	205	204
TVMS2-85-20-1	578	576	1294	375	230	257
TVMS2-85-20	578	650	1368	418	256	318
TVMS2-85-30-2	670	650	1460	418	256	342
TVMS2-85-30-1	670	650	1460	418	256	342
TVMS2-85-30	670	700	1510	465	280	442
TVMS2-85-40-2	762	700	1602	465	280	446

The overall dimensions of the single-phase motor and explosive-proof motor are a little different. Please contact us for details. For TVMS2-85 series, PN25-40/DN100 standard flange is also available if required.

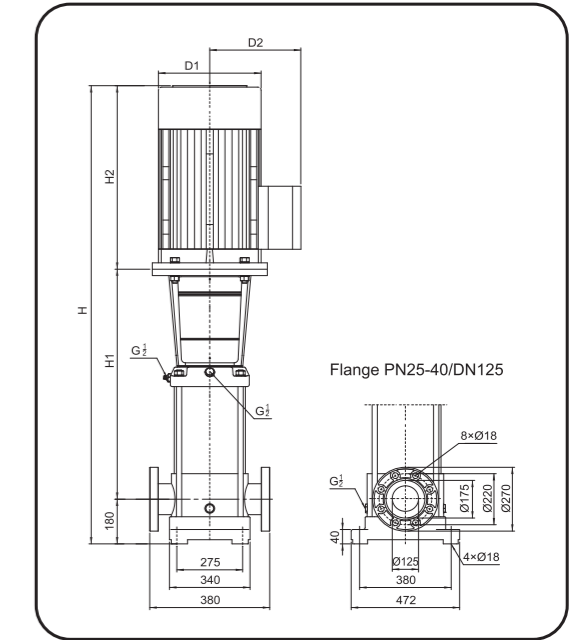
Technical Data

Performance curve ISO9906 3500rpm



TVMS2-120

Installation sketch



Performance table

Model	Motor		Q (m³/h)	H (m)															
	(kW)	(hp)		0	60	70	80	90	100	110	120	130	140	150	160				
TVMS2-120-10-1	15	20	H (m)	28	26.5	26	25	24.5	23.8	23	22.5	21.5	21.3	21	20				
TVMS2-120-10	18.5	25		32	30.8	30.7	30.5	30.3	29.5	28.8	27.6	26.4	25.4	24.4					
TVMS2-120-20-2	30	40		53	51.5	50.5	49.5	47.5	46	45.5	44.8	43	41	39.7	38.5				
TVMS2-120-20-1	30	40		61.7	58.3	58	57.3	56	54.7	54	53	51.5	50	47.4	45				
TVMS2-120-20	37	50		70.5	66.3	66	65.7	65	64.4	63	62	60.7	59.6	57	54.6				
TVMS2-120-30-2	45	60		85	83	82	81	79.5	78	76	74.5	73.5	71	68.5	65				
TVMS2-120-30-1	45	60		95	91.3	91	90.4	89	87.7	86	84.4	82	80	76.7	73.3				
TVMS2-120-30	55	75		104	100.3	100	99.4	98.3	97.3	95.5	94	92	90	86.3	82.7				
TVMS2-120-40-2	75	100		118.5	116	115.5	114	113	111	109	105.5	104	100	97	93				
TVMS2-120-40-1	75	100		130	126	125.4	124.6	122.6	120.6	118.5	116.5	114	111.3	107	103				
TVMS2-120-40	75	100		139	134	133	132	131	129.5	127.5	125	122	119	114.5	109.5				
TVMS2-120-50-2	75	100		156	152	151	149.7	147	144	141.5	139	135.5	132	127	122				

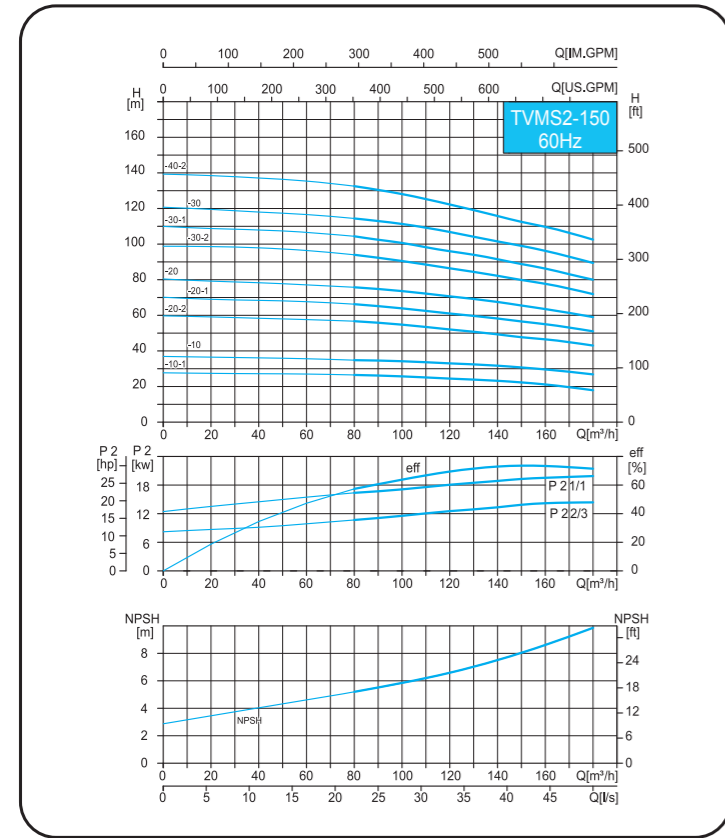
Size and weight

Model	Dimension (mm)					Weight (kg)
	H1	H2	H	D1	D2	
TVMS2-120-10-1	660	500	1340	330	205	222
TVMS2-120-10	660	545	1385	330	205	237
TVMS2-120-20-2	820	650	1650	418	256	337
TVMS2-120-20-1	820	650	1650	418	256	337
TVMS2-120-20	820	650	1650	418	256	367
TVMS2-120-30-2	980	700	1860	465	280	432
TVMS2-120-30-1	980	700	1860	465	280	432
TVMS2-120-30	1010	770	1960	506	305	532
TVMS2-120-40-2	1170	835	2185	560	335	662
TVMS2-120-40-1	1170	835	2185	560	335	662
TVMS2-120-40	1170	835	2185	560	335	662
TVMS2-120-50-2	1330	835	2345	560	335	677

The overall dimensions of the single-phase motor and explosive-proof motor are a little different. Please contact us for details.

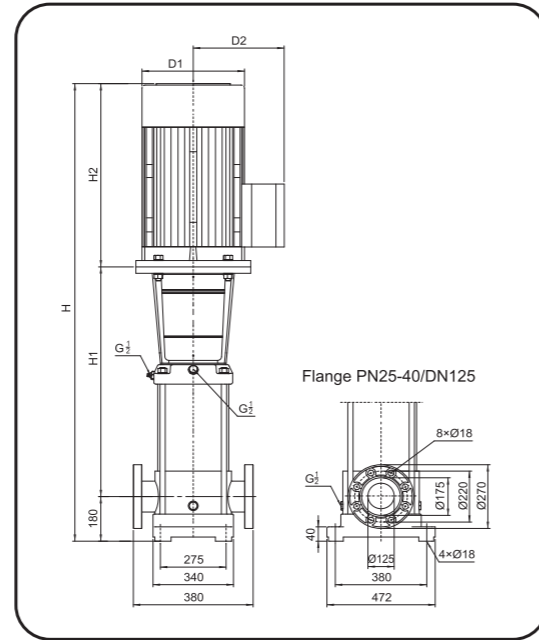
Technical Data

Performance curve ISO9906 3500rpm



TVMS2-150

Installation sketch



Performance table

Model	Motor		Q (m³/h)	H (m)														
	(kW)	(hp)		0	80	90	100	110	120	130	140	150	160	170	180			
TVMS2-150-10-1	15	20	H (m)	28	26.5	26	25.7	25	24.3	23.8	23.2	22.3	21.2	19.5	18			
TVMS2-150-10	22	30		37	35	34.5	34	33.6	33	32.3	31.7	30.7	29.6	28	27			
TVMS2-150-20-2	30	40		60	57	55.5	53	52	51.3	50	49	48	47	45	43			
TVMS2-150-20-1	37	50		70	67	65	63.5	62	61	60	58.5	56	55	53	51			
TVMS2-150-20	45	60		80	75.5	74.5	73.6	72	70.4	69	67.5	65.5	63.5	61	59			
TVMS2-150-30-2	55	75		99	94	92	90.5	88.4	86.4	83.8	81	80	78	75.3	72.5			
TVMS2-150-30-1	75	100		110	104	102.5	100	98	96	94	92	89	87	84	80			
TVMS2-150-30	75	100		121	114.4	113	111.3	109	106.5	104	101.5	99	96	93	89.4			
TVMS2-150-40-2	75	100		139	133	130.3	127.6	124.6	121.7	118.3	115	112.5	110	106.3	102.5			

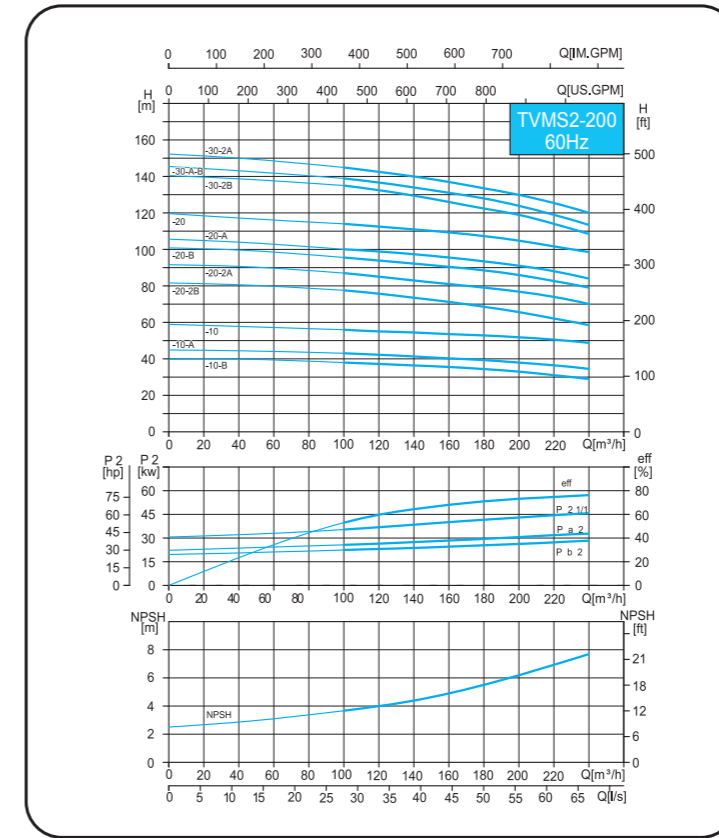
Size and weight

Model	Dimension (mm)					Weight (kg)
	H1	H2	H	D1	D2	
TVMS2-150-10-1	660	500	1340	330	205	222
TVMS2-150-10	660	576	1416	375	230	267
TVMS2-150-20-2	820	650	1650	418	256	347
TVMS2-150-20-1	820	650	1650	418	256	367
TVMS2-150-20	820	700	1700	465	280	422
TVMS2-150-30-2	1010	770	1960	506	305	532
TVMS2-150-30-1	1010	835	2025	560	335	652
TVMS2-150-30	1010	835	2025	560	335	652
TVMS2-150-40-2	1170	835	2185	560	335	667

The overall dimensions of the single-phase motor and explosive-proof motor are a little different. Please contact us for details.

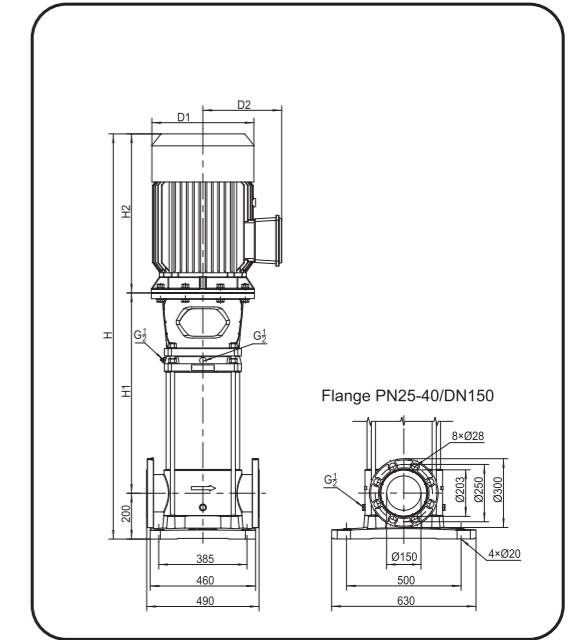
Technical Data

Performance curve ISO9906 3500rpm



TVMS2-200

Installation sketch



Performance table

Model	Motor		Q (m³/h)	H (m)														
	(kW)	(hp)		0	100	120	140	160	180	200	220	240						
TVMS2-200-10-B	30	40	H (m)	40	38	37	36.5	35.5	34	33	31	29						
TVMS2-200-10-A	37	50		45	43	42	41.5	40	39	38	36.5	34.5						
TVMS2-200-10	45	60		59	56	55	54.5	53.5	53	52	50.5	48.5						
TVMS2-200-20-2B	55	75		81.6	77.5	75.5	73.5	71	68.5	66	62	58.5						
TVMS2-200-20-2A	75	100		92	87	85	83	81	79	77	74	70						
TVMS2-200-20-B	75	100		101	95.5	93.5	92.5	90.5	88.5	86	82.5	79						
TVMS2-200-20-A	90	120		106	100	98.5	97.5	95.5	93.5	91	88	84						
TVMS2-200-20	90	120		120	114	112.5	111	109.5	107.5	105	101.5	98.5						
TVMS2-200-30-2B	110	150		140	135	132.5	129.5	126	122.5	119	114	108.5						
TVMS2-200-30-A-B	110	150		145	139	136.5	134	131	128	124	119	113.5						
TVMS2-200-30-2A	110	150		152	145	142.5	140	137	133.5	130	125.5	120						

Size and weight

Model	Dimension (mm)					Weight (kg)
	H1	H2	H	D1	D2	
TVMS2-200-10-B	680	650	1530	418	256	323
TVMS2-200-10-A	680	650	1530	418	256	370
TVMS2-200-10	680	700	1580	465	280	421
TVMS2-200-20-2B	976	770	1946	506	305	473
TVMS2-200-20-2A	976	835	2011	560	335	566
TVMS2-200-20-B	976	835	2011	560	335	685
TVMS2-200-20-A	976	885	2061	560	335	685
TVMS2-200-20	976	885	2061	560	335	685
TVMS2-200-30-2B	1170	1040	2410	655	400	830
TVMS2-200-30-A-B	1170	1040	2410	655	400	830
TVMS2-200-30-2A	1170	1040	2410	655	400	830

The overall dimensions of the single-phase motor and explosive-proof motor are a little different. Please contact us for details.



We reserve the right to change the specifications and designs without prior notice. The OO series and model OO are indicated with our series/model codes in this catalog.

**TSURUMI  
MANUFACTURING CO., LTD.**

Your Dealer